

Compact II 420225

#	<u>DESCRIPTION</u>	<u>CATALOG NUMBER</u>	<u>REFERENCE NUMBER</u>
1	Head Screw Assembly	421261	42015103
2	Rotor Head (6 place)	421320	42022502
3	Motor drive	421260	42015102
4	Motor Assembly (120V)	421319	42022501
6	Seal ring	421321	42022503
7	Timer (Knob not available separately)	429631 (new 2/2005)	42022505
9	Capacitor (120V)	421324	42022506
13	Rubber feet (pkge 3)	421136	42000106
15	Safety switch	421326	42022508
N/A	Cover assembly	421333	42022515
N/A	latch assembly	421329	42022511
<u>Rotor accessories</u>			
N/A	Shield, stainless, w/cushion	420901	
N/A	Rubber cushion, green (12/pk)	420943	
N/A	Rubber cushion,large black (12/pk)	420944	
N/A	Tube adapter,4 pack,for 13x75 mm tube	420250	
N/A	Tube adapter,4 pack,for 13x100 mm tube	420251	
N/A	Rubber cushion, small black (4/pk)	420249	
N/A	Accessory kit	421331	
<u>Discontinued parts</u>			
5	Motor assembly (220V)	421334	42022501
11	Power cord assembly (120V)	421336	42022703
12	Power cord assembly (220V)	421136	42022703
14	Wire clamp (pkge 3)	421325	42022507
7	Timer	421323 (Replacement above)	
8	Timer knob (Old Style - No Longer Avail.)	421322	42022504

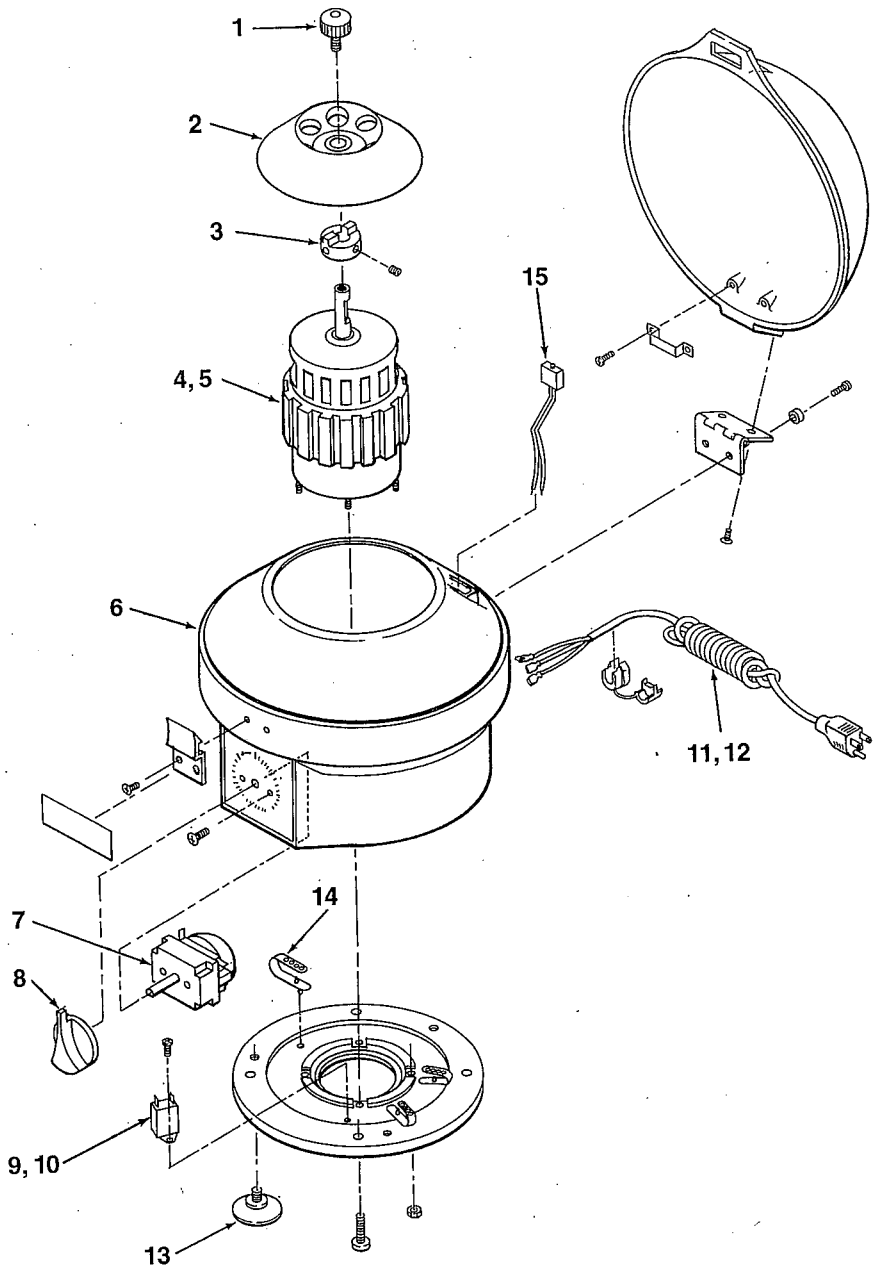


Figure 5-6. Compact II Centrifuge, Exploded View.