

AUTOCRIT II #420574 and MHCT II #420556

<u>#</u>	<u>DESCRIPTION</u>	<u>CATALOG NUMBER</u>	<u>REFERENCE NUMBER</u>
1	Motor and Spindle Assembly (with Drip Plate)	421417	42055801
3	Motor Brush Kit	See Motor Label for Replacement Part No.	
4	Timer and Name plate (120V)	421421	42055805
6	ON lamp assembly (120V)	421427	42055811
7	ON lamp assembly (220V)	421435	42056204
10	Lid safety Switch	421422	42055806
13	Rubber Feet (pkge 4)	421423	42055807
14	Spanner wrench assembly	421414	42055115
15	Lid seal gasket	421425	42055809
16	Safety locknut	421403	42055103
N/A	Operator's manual	421419	
<u>Head components</u>		<u>Autocrit II</u>	
19	Scale plate assembly	421443	42057701
20	Rubber liner, carrying tray	421445	42058001
21	Guide pin, carrying tray	421446	42058002
23	Notched rubber liner, carrying tray	421447	42058003
24	Headcover assembly	421438	42057401
25	Magnifier	421431	42055815
<u>Head components</u>		<u>MHCT II</u>	
26	Head liner, rubber (pkge 3)	421411	42055112
27	Head cover assembly	421410	42055111
<u>Discontinued parts</u>			
2	Motor and Spindle Assembly – 220V	<i>Discontinued 8/02</i> 421432	42056201
5	Timer and Name plate (220V)	<i>Discontinued 8/02</i> 421433	42056202
8	Latch, Solenoid and switch assembly (120V)	<i>Discontinued 8/02</i> 421424	42055808
11	Linecord and plate assembly	<i>Discontinued 8/02</i> 421430	42055814
3	Jones motor brush/cap 2/pk	<i>Discontinued 8/02</i> 421436	42056205

AUTOCRIT II #420574 and MHCT II #420556

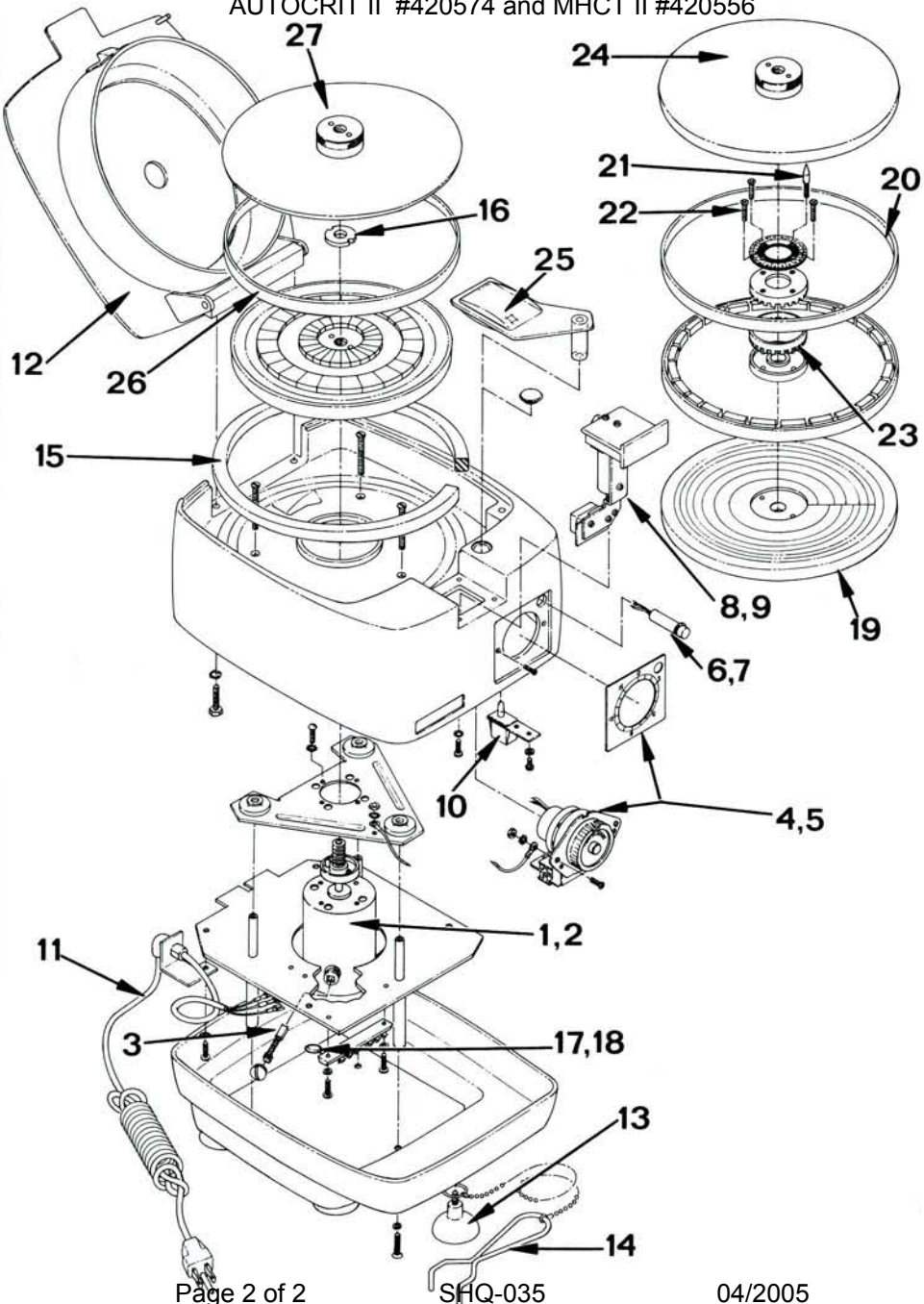


Figure 25. Exploded Isometric, AUTOCRIT II and Micro-Hematocrit II Centrifuges.