

# AUTOCRIT Ultra III 420575

<b>#</b>	<b><u>DESCRIPTION</u></b>	<b><u>CATALOG NUMBER</u></b>	<b><u>REFERENCE NUMBER</u></b>
1	Motor/ spindle assembly (120V)	421417	42055801
3	Motor brush kit	421402 or 421429	42055102
4	Timer & name plate (120V)	421421	42055805
5	Timer & name plate (220V)	421433	42056202
8	Latch,solenoid,switch assembly (120V)	421424	42055808
9	Latch,solenoid,switch assembly (220V)	421434	42056203
12	Rubber feet (pkg 4)	421441	42057503
13	Spanner wrench assembly	421414	42055115
14	Lid seal gasket	421425	42055809
15	Retaining nut/safety lock nut	421403	42055103
18	Scale Plate assembly	421443	42057701
19	Rim Liner, carrying tray	421445	42058001
20	Guide pin, carrying tray	421446	42058002
22	Notched Hub liner	421447	42058003
N/A	Carrying tray	420580	
N/A	Rotor assembly (cover, tray, scale plate)	420577	
23	Head cover assembly	421438	42057401
24	Magnifier	421431	42055815
N/A	Operator's manual	421440	
 <b><u>Discontinued parts</u></b>			
2	Motor/ spindle assembly (220V)	<i>discontinued 8/02</i> 421442	42057601
6	On light assembly (120V)	<i>discontinued 8/02</i> 421427	42055811
7	On light assembly (220V)	<i>discontinued 8/02</i> 421435	42056204
10	Lid safety switch	<i>discontinued 8/02</i> 421422	42055806
11	Linecord & plate assembly	<i>discontinued 8/02</i> 421430	42055814

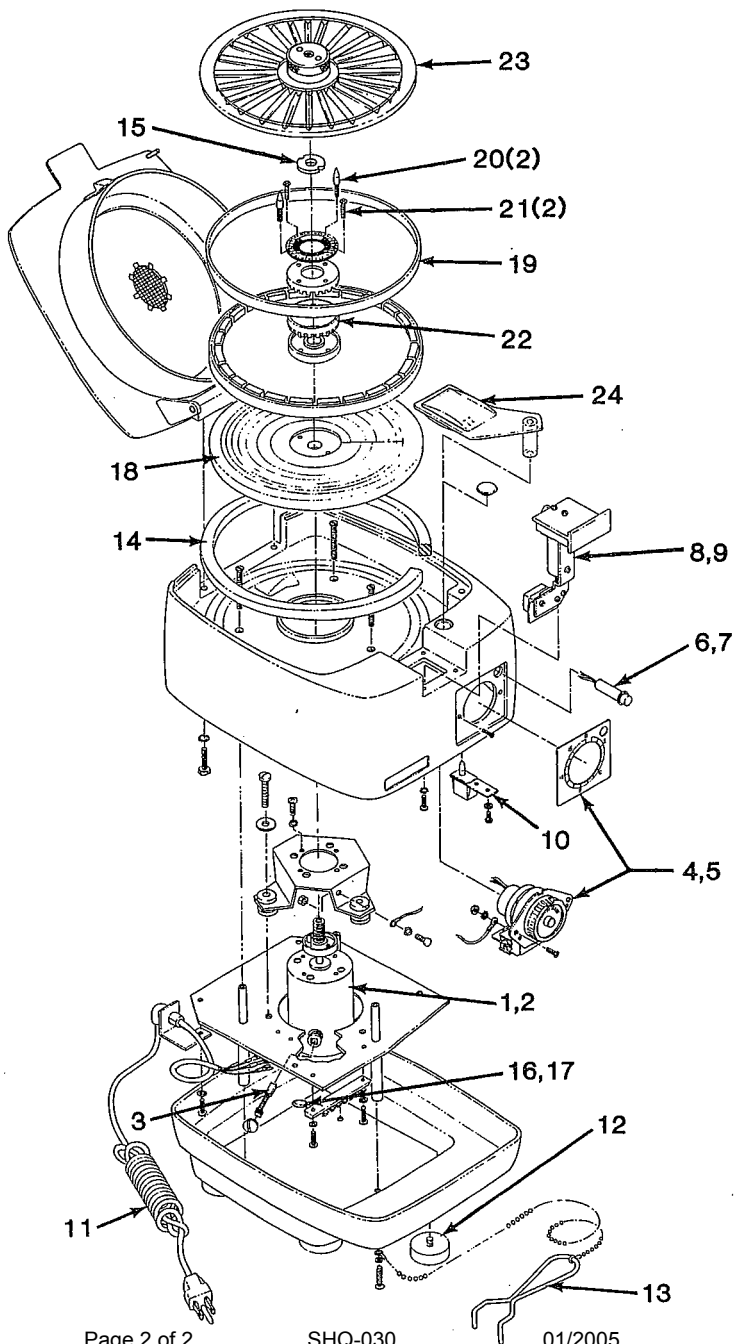


Figure B-1. Illustrated Parts, AUTOCRIT Ultra 3 Centrifuge.